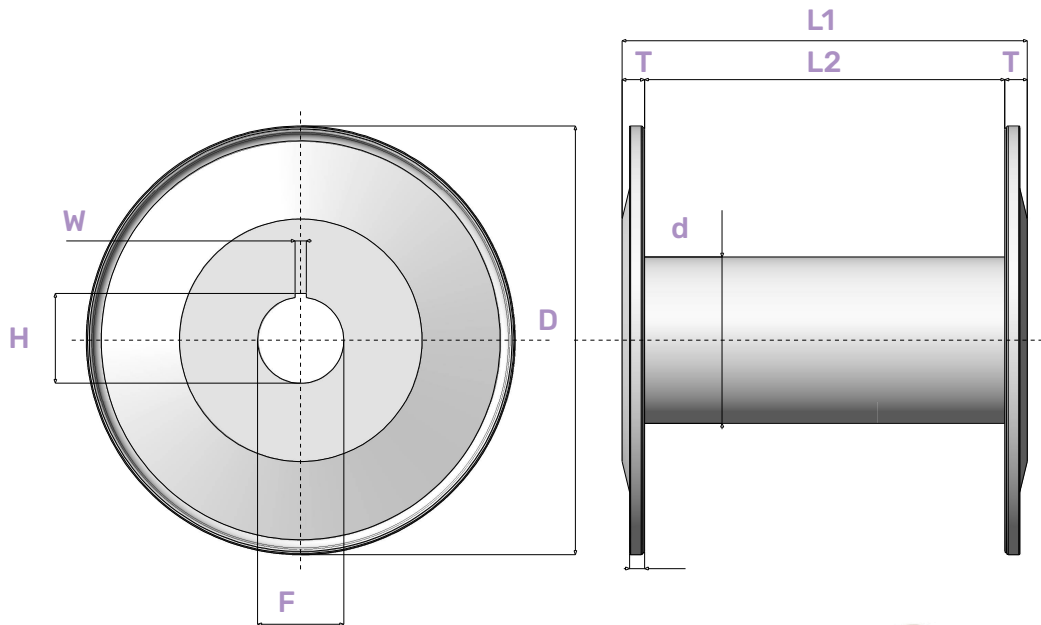
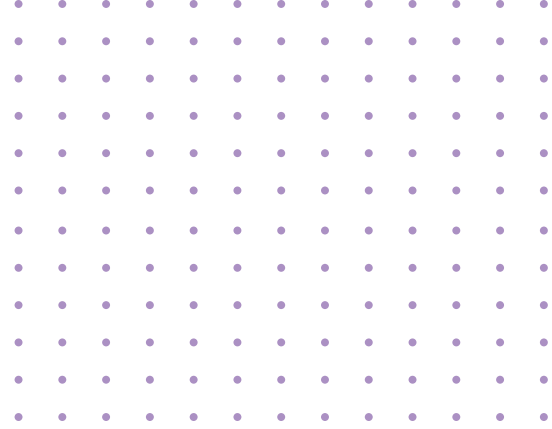


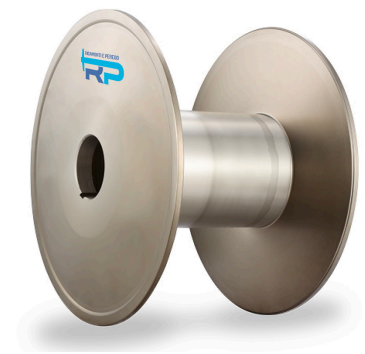
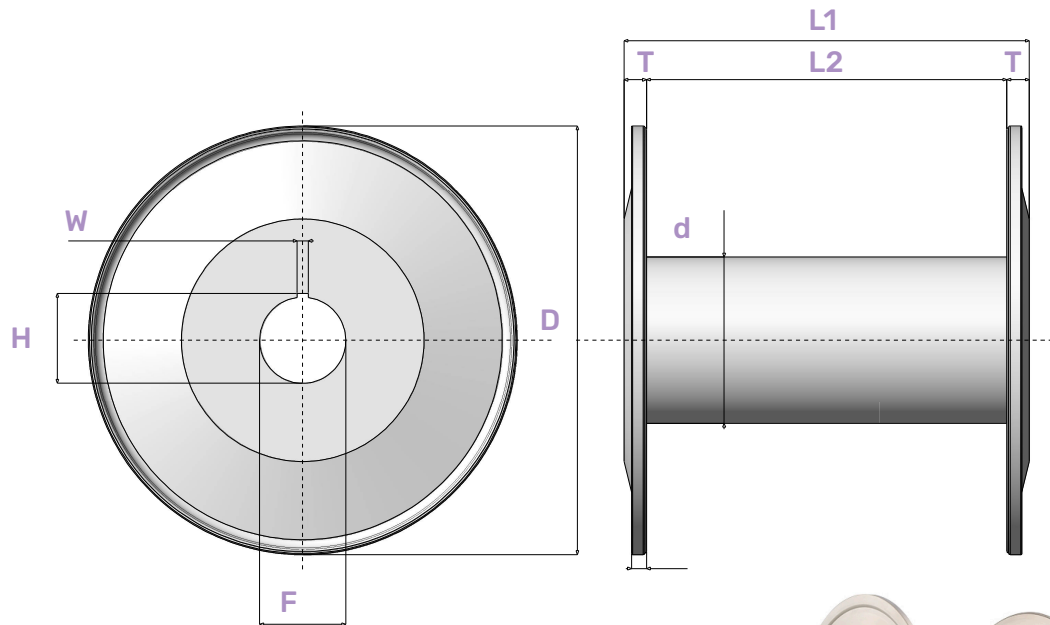
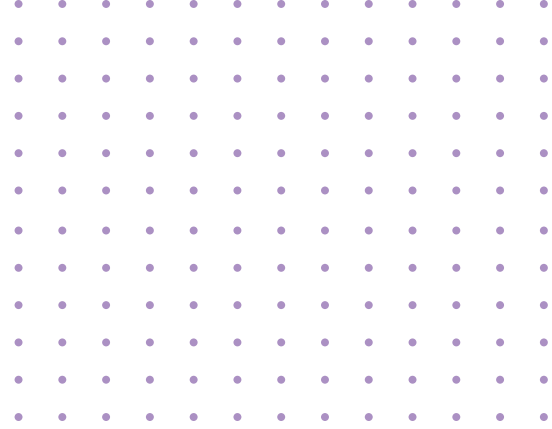
Ø152⁰_{7+0.2}

**BEAMS FOR KNITTING
AND TRICOT MACHINES**



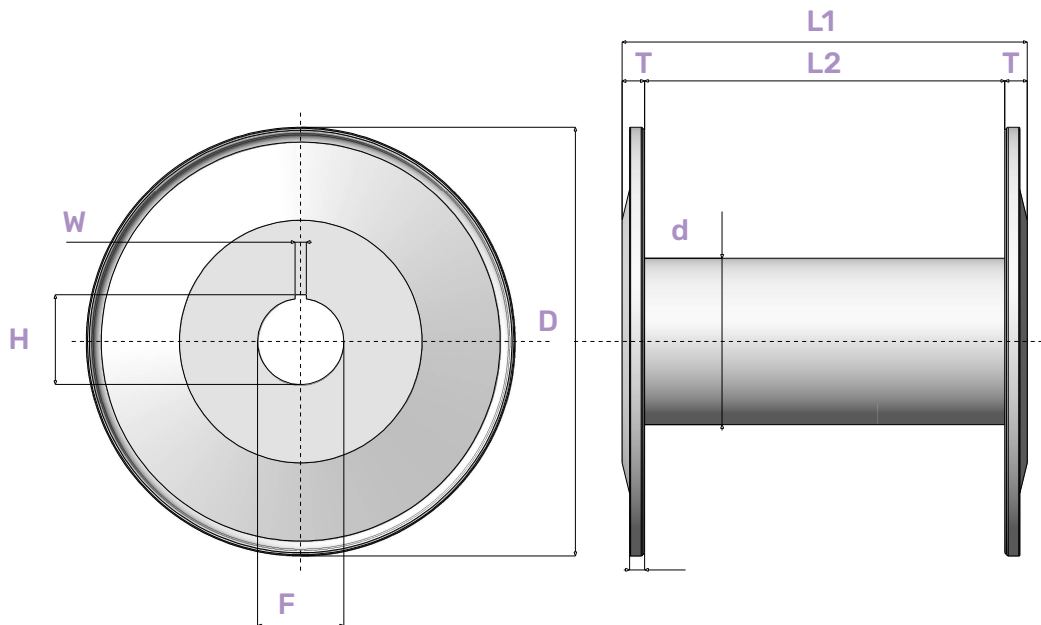
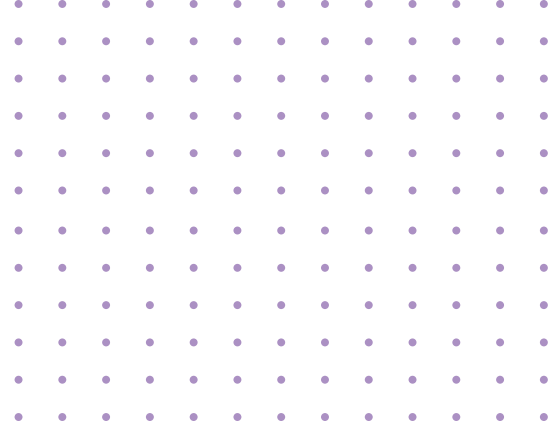
Item No.	Size(mm)									kg
	DxL	E	D	L2	L1	d	F	H	W	
RP010	21X21(A)	34	532	470	538	200	152.7	159.5	19.6	32
RP020	21X21(B)	40	532	450	530	200	152.7	159.5	19.6	38
RP030	21X30	35	532	692	762	200	152.7	159.5	19.6	45
RP040	21X42	44.5	532	977	1066	200	152.7	159.5	19.6	52

- Beams with other specifications can be made on request (possibility to supply the same beams but with flanges casted and tube in aluminium or steel).
- Balanced and hard anodized.
- High-quality forged aluminium beams (for nylon, polyester, spandex, lycra yarns etc.)



Item No.	Size(mm)									kg
	DxL	E	D	L2	L1	d	F	H	W	
RP050	30X21(A)	34	762	470	538	300	152.7	159.5	19.6	80
RP060	30X21(B)	40	762	450	540	300	152.7	159.5	19.6	92
RP070	30X30	40	762	660	740	300	152.7	159.5	19.6	106
TS080	30X42	44.5	762	977	1066	300	152.7	159.5	19.6	115

- Beams with other specifications can be made on request (possibility to supply the same beams but with flanges casted and tube in aluminium or steel).
- Balanced and hard anodized.
- High-quality forged aluminium beams (for nylon, polyester, spandex, lycra yarns etc.)



Item No.	Size(mm)									kg
	DxL	E	D	L2	L1	d	F	H	W	
RP090	40X21	35	1000	470	540	300	152.7	159.5	19.6	142
RP100	40X42	35	1000	977	1066	300	152.7	159.5	19.6	180
RP110	42X21	35	1060	470	540	300	152.7	159.5	19.6	168
RP120	42X42	53	1060	960	1066	300	152.7	159.5	19.6	208

- Beams with other specifications can be made on request (possibility to supply the same beams but with flanges casted and tube in aluminium or steel).
- Balanced and hard anodized.
- High-quality forged aluminium beams (for nylon, polyester, spandex, lycra yarns etc.)

MAIN MARKETS REFERENCES



**WEAVING BEAMS FOR
TEXTILE LOOMS**



WARPING BEAMS



**BEAMS FOR RIBBON
AND LABEL LOOMS**



RIGAMONTI E PEREGO E C. S.R.L.
Via De Gasperi, 4
23846 Garbagnate Monastero (LC) ITALY
Tel. +39 031 850349 Fax +39 031 851662
info@rigamontieperego.com
www.rigamontieperego.com