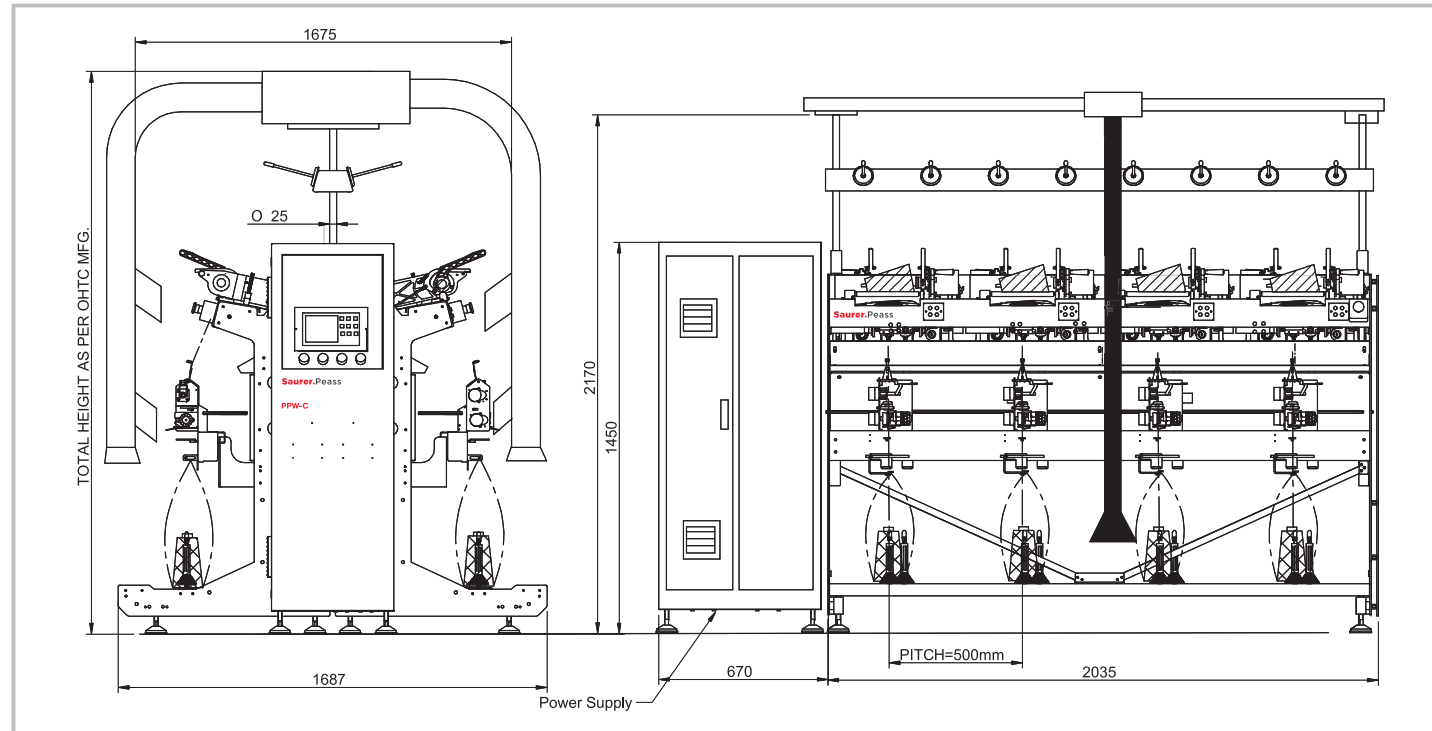


# PPW-C

## Technical specifications



<b>Machine model</b> PPW-C	<b>Count range</b> Ne 16 and above	<b>Produce package type</b> Cylindrical / Conical	<b>Power</b> Installed: 0.185 Kw./spindle
<b>No. of winding heads</b> 4 to 96 Spindles	<b>Package destination</b> Warping, Weaving, Knitting	<b>Produce package diameter</b> min. OD Ø300mm	<b>Special features</b> Propeller thread laying system for lowest yarn stressing while winding
<b>Machine arrangement</b> Single/ Double sided	<b>Winding speed</b> Up to 1200m/min. max. (depending on process parameters)	<b>Produce package traverse</b> 6" (152 mm) / 5" (130 mm)	<b>Spindle drive</b> Individual
<b>Spindle gauge</b> 500mm	<b>Supply package type</b> All types	<b>Supply package</b> Ø250 mm diameter	<b>Type of winding</b> Precision winding

### Machine dimensions

No. of spindles	8	16	24	32	40	48	56	64	72	80	88	96
Length (F=2035 mm)	2705	4740	6775	8810	10845	12880	14915	16950	18985	21020	23055	25090
Width in mm	1687 mm											
Height in mm	1450 mm											
Connected load in Kw.(0.185Kw./Sp.)	1.48	2.96	4.44	5.92	7.40	8.88	10.36	11.84	13.32	14.80	16.28	17.76
Net weight in Kg.	675	1275	1875	2475	3075	3675	4275	4875	5475	6075	6675	7275

## Peass Industrial Engineers Pvt. Ltd.

### Regd. Office

Survey No. 303/1/f & 302/1, Maneklal Road.  
Navsari - 396 445 (W.R.) Gujarat, INDIA  
Phone: +91 2637 240843 / 250811 / 325101 / 329419  
Fax: +91 2637 257321  
E-mail: navsari@peass.com

### Mumbai Office

Merchant Chambers,  
2nd Floor, 41, New Marine Lines,  
Mumbai - 400 020 INDIA  
Phone: +91 22 6121 0900  
Fax: +91 22 6631 0570  
E-mail: mumbai@peass.com

### Delhi Office

729, Pocket 'E',  
Mayur Vihar Phase II,  
Delhi - 110 091 INDIA  
Phone: +91 11 2277 3701 / 3244 5102 / 03  
Fax: +91 11 2277 4741  
E-mail: delhi@peass.com

### Coimbatore Office

P-1, 3rd Floor, Red Rose Plaza,  
509, D.B. Road, R.S. Puram,  
Coimbatore - 641 002 INDIA  
Phone: +91 422 254 4097 / 324 5115  
Fax: +91 422 254 4097  
E-mail: cbe@peass.com

### Ahmedabad Office

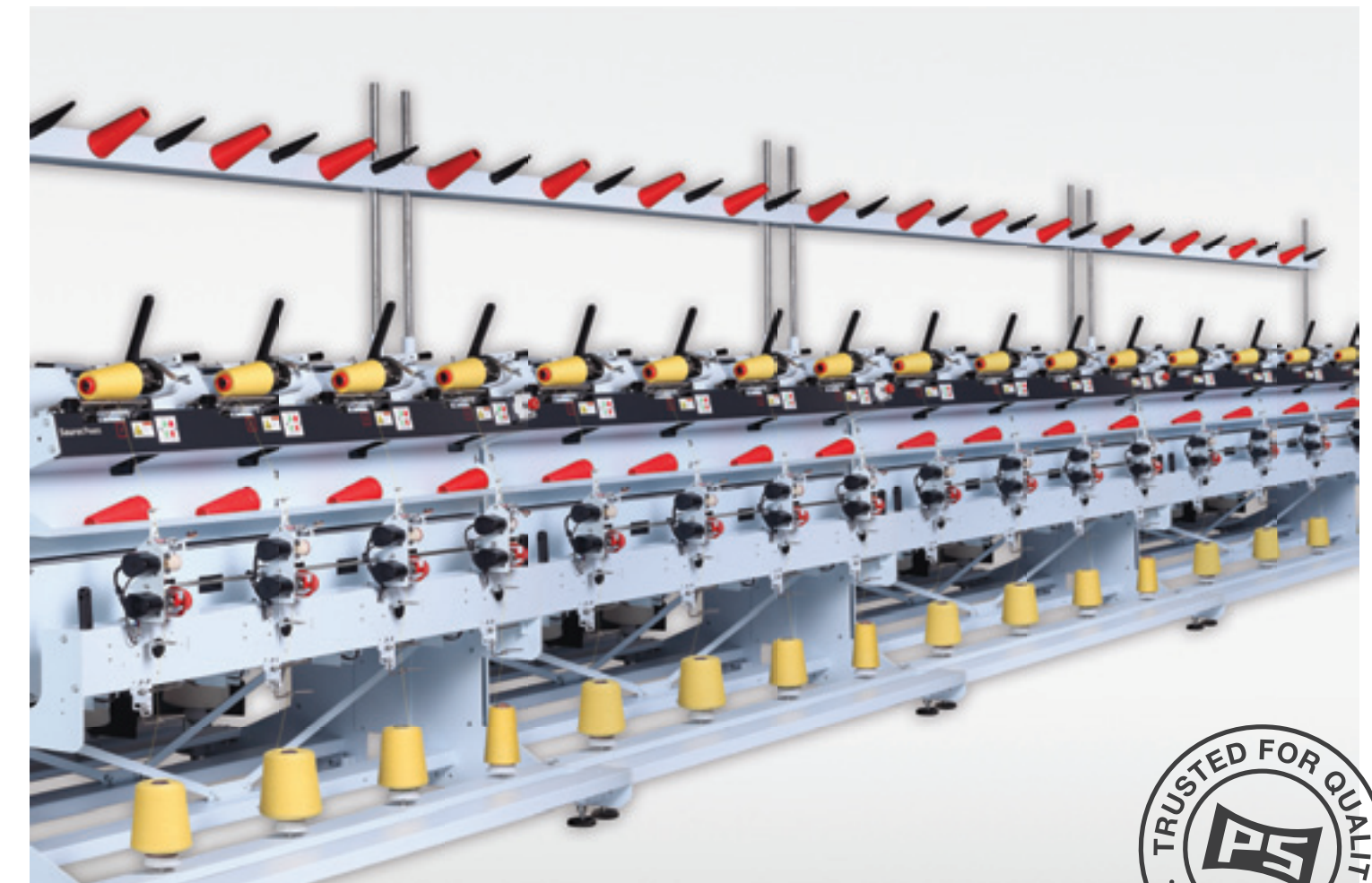
Samudra, B-201, 2nd Floor,  
Sardar Patel Nagar Road,  
Navrangpura,  
Ahmedabad - 380 006 INDIA  
Phone: +91 79 2642 7665 / 3293 5112  
Fax: +91 79 2642 7665  
E-mail: ahd@peass.com

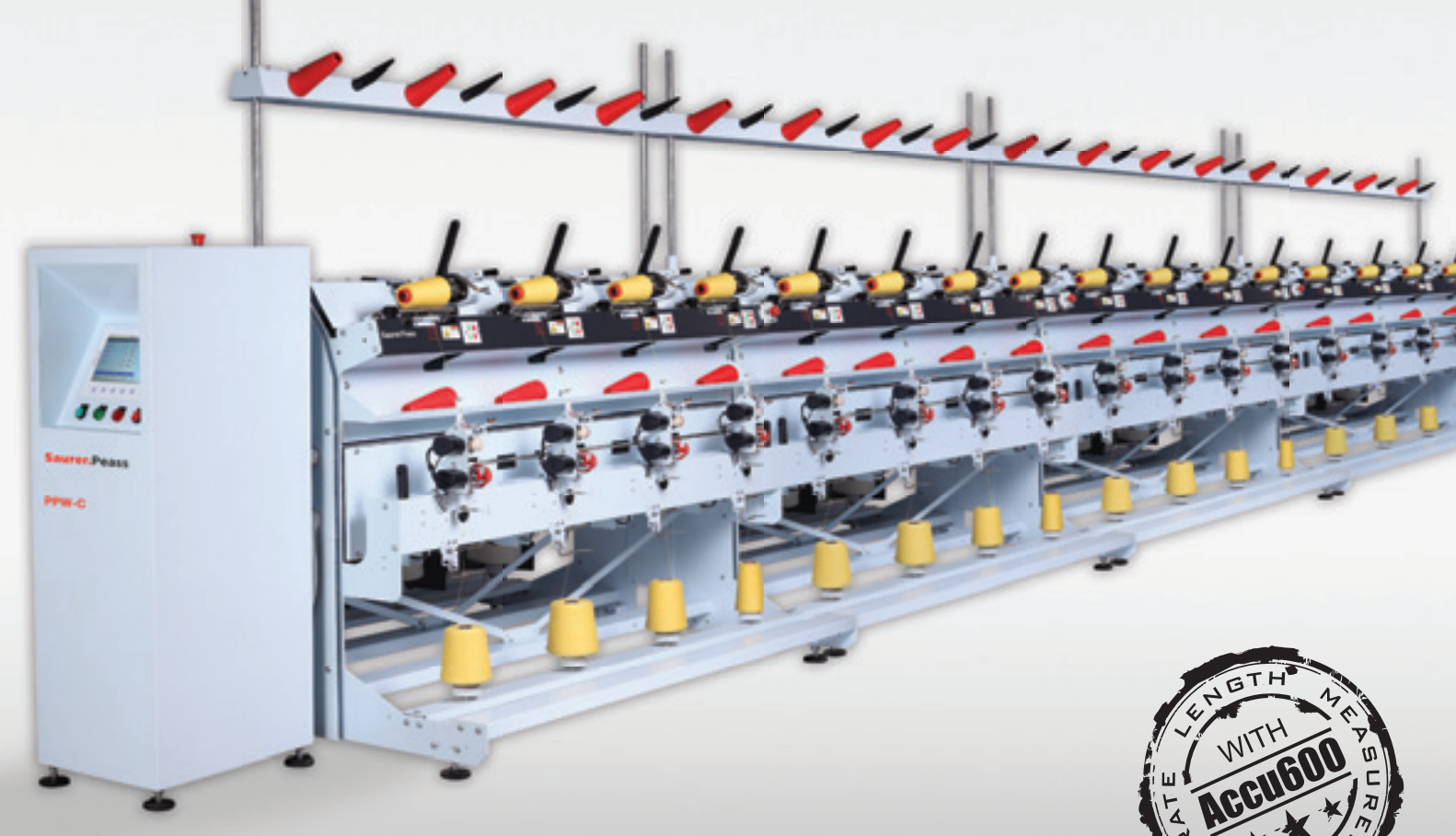
**Website: [www.peass.com](http://www.peass.com)**

## Saurer.Peass

### PRECISION RE-WINDER PPW-C. KEY TO EFFICIENT WEAVING

—  
STAPLE FIBRE YARNS.





## Precision Propeller Re-Winder PPW-C

The high performance Re-winder, is equipped with individual micro controller and individual inverter drives that ensure constant yarn speed throughout the package.

### Major Advantages

- ▶ Excellent unwinding performance even at high speed
- ▶ Precise length measuring accuracy with 'Accu600'
- ▶ Improved loom efficiency / productivity
- ▶ Reduced air consumption
- ▶ Minimal bottoms in warpings



3kg weft package

## Straight yarn path

- ▶ Higher speed
- ▶ Gentle handling of yarn
- ▶ Ceramic contacts
- ▶ Self threading



### Outstanding features

- 1 Diameter control
- 2 Swing arm
- 3 Yarn laying by counter rotating propeller
- 4 Visual display of yarn break and full doff
- 5 Waxing device
- 6 Electronic non contact yarn detector
- 7 Motorized numbering tension device
- 8 Universal package holder



Tail end device

## Yarn traversing system

The winding system is outlined by a unique yarn laying principle. Two counter rotating propellers impart gentle handling of the yarn and a highly precise yarn laying pattern.

As the blades are directly synchronised with the positively driven yarn package, precision winding is achieved.

Because of a constant winding ratio from start to the final package diameter, absolutely no ribbon or pattern zone is observed on the produce package. This guarantees excellent unwinding characteristics of the package during the subsequent process.

## Smart controller

All spindle functions are monitored and controlled by the microprocessor based system which has features like :

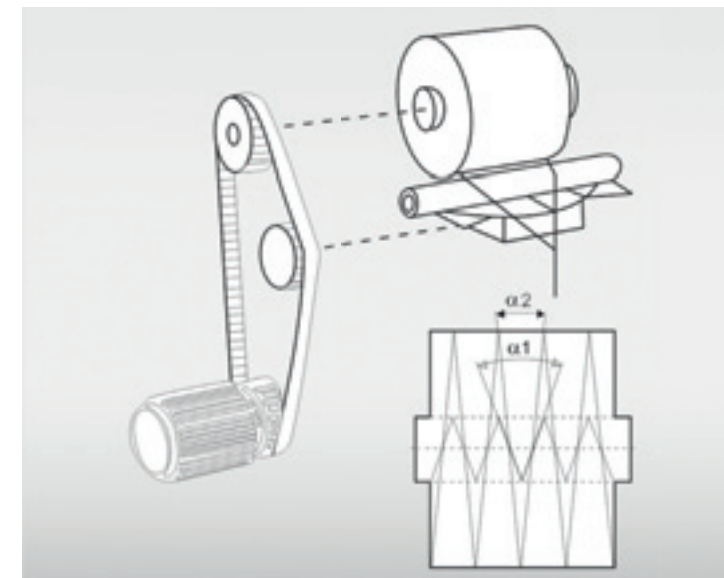
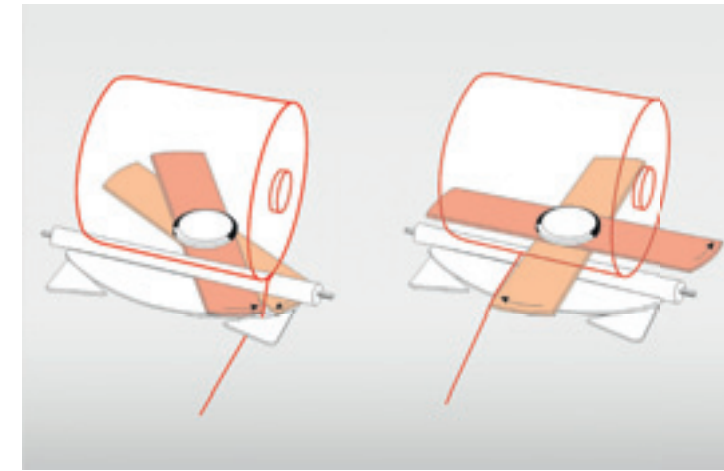
- High definition colour LCD, touch screen 10"
- Individual/ group wise speed & length setting
- Storage of last 50 shift's data
- Extendable up to 96 spindles
- Individual spindle maintenance mode

### Standard Features

- Individual frequency inverter drive
- Constant yarn speed by electronic control
- Auto stop motion for full doff with visual display
- Motorized numbering tension device
- Motorized waxing device
- Tail end device

### Optional Features

- Accurate length measuring system- 'Accu600'
- Over feed device
- Digital tensioner
- Online tension monitoring and control
- Online production monitoring system
- Overhead travelling blower
- Splicer unit



Constant number of coils from start to final package.

