



Once again
One more
Crowning Glory

AUTOTEX
The Best Quality
certified by
RIETER 

Our Sincere Thanks to Rieter - Motivating us to move towards Excellence.



AUTOTEX - The World's Largest Bobbin Holding System

Autotex has been serving to the textile industry for more than two decades and has grown to be one of the leading textile machinery component suppliers in India and Overseas. The company was set up with the express intention of manufacturing quality Plastic engineering parts to serve the Automobile, Engineering and Textile industry. An endeavor paved the way for manufacturing of Bobbin Holders and other textile machinery accessories.

Our quest for quality starts from design and ends at customer point through stringent in-house quality measures. This has made us one of the leading OEM supplier to quality conscious textile machinery manufacturers the world over. We strive for harmonical relationship with our customers by way of prompt delivery and excellent quality.

Our objective for Research and Development is always :

Simple but Reliable

Superior in Quality but Affordable

Technologically advanced but user friendly

This forms the basis for a highly structured activity at Autotex to develop and produce superior products. Our responsibility does not end with just supply of products, we strongly believe in after sales service - a key area contributing towards total customer satisfaction.

Being first comes to us naturally

- First in India to introduce Design Patened Bobbin Holder with advanced ratchet mechanism.
- First and only Indian company crowned for World Largest Installed Bobbin Holders.
- First in the world to invent a Bobbin Holder with the patented Multi Brake System
- First in the world to introduce the Bobbin Holder with the Patented Four Point Holding System.
- First in the world to invent a Bobbin Holder with the patented Four Point holding and suspension System.
- First in the world to invent a Bobbin locking System in Bobbin Holders.
- First to invent the new suspension concept for Bobbin Holders used for Auto doffing in Speed Frames.
- First to invent the new concept with lamellen sleeves in clearer rollers.

- 1988 - Inception of the state of art Powder Coating -Auto Coats.
- 1992 - An endeavor paved way for manufacturing Bobbin Holders-Autotex.
- 1993 - Global Supplier of Bobbin Holders to Rieter, Switzerland.
- 1994 - Associated with Lakshmi Machine Works, India for supplying Bobbin Holders.
- 1995 - Autotex in association with Indo - Swiss joint venture Rieter -LMW, India.
- 1996 - Saurer - Zinser, German textile machinery manufacture associated with Autotex.
- 1997 - Toyoda textile machinery, Japan has highlighted Autotex as their business partner.
- 1999 - Marzoli SpA, Italy started sourcing Autotex Bobbin Holders.
- 2001 - Diversification to Consumable goods by manufacturing Mosquito Repellent - GoodLuck.
- 2002 - Certified for ISO 9001:2000 Quality Management System.
- 2003 - Autotex installed Wind Farm to produce renewable Green energy.
- 2004 - Invented and Patented Multi Brake System - MBS in Bobbin Holders.
- 2005 - Ventured into manufacturing of Yarn carriers / Sliver cans / Mechanical Fluff Collectors.
- 2006 - Awarded for excellence in consequent export from the year 2001.
- 2007 - Awarded for Research and Development for the innovation of Patented MBS Bobbin Holder.
- 2008 - Top Automobile MNC are catered by Autocoats with advanced CED Painting.
- 2010 - Ventured into manufacturing of Patented Poultry equipments.
- 2013 - Celebrated the Silver Jubilee year of Autotex Group.
- 2014 - Invented the world first Patented Bobbin Holder 4 Point Holding with Suspension System - 4PH-S.
- 2015 - Global Leader - Rieter awarded Autotex for Best Quality and elevated as Reliable Global Supplier
- 2016 - Invented the patented Bobbin Locking System (BLS) in Bobbin Holders.
- 2017 - Invented the new patented suspension concept for Bobbin holders used for Auto doffing in Speed Frames.
- 2017 - Once again the Golbal Leader- Rieter awarded Autotex 'The best quality' award.
- 2017 - Invented the new patented concept with Lamellen sleeves in clearer rollers.

Roving Frame Bobbin Holders

for Auto doffing

AUTOTEX

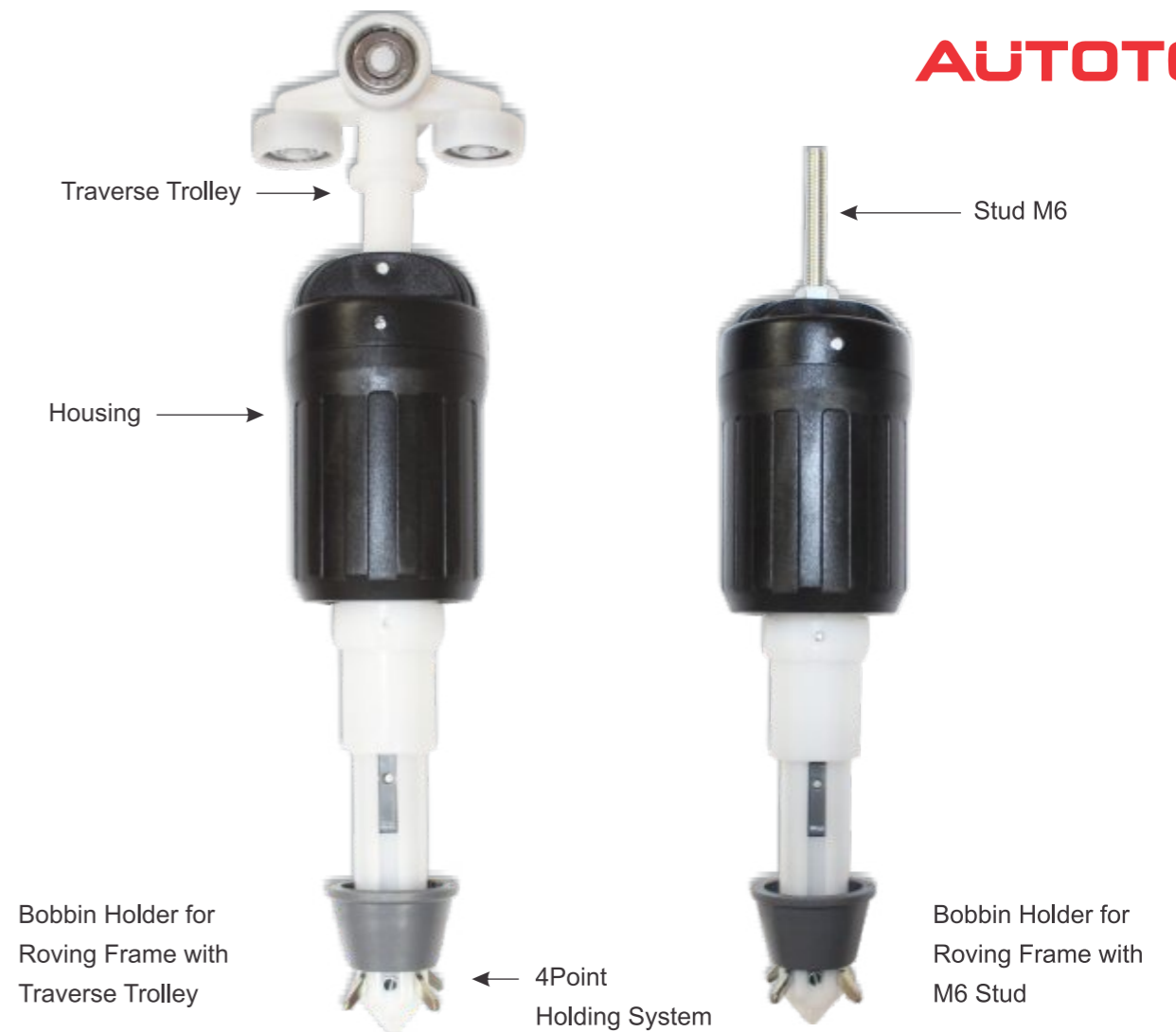
Designed by
Experience

A Bobbin Holding System is certainly the one area in Spinning Mills where investments in automation are more easily justified. Moreover to a Roving Frame or Flyer frame the Automatic doffing system is very essential. The Bobbin Holders used in this Auto doffing system should provide an exceptional performance.

Autotex has developed a special Bobbin Holder created with sturdy, compatibility, flexibility and for longer durability for Auto doffing system in the Roving frame or Flyer Frame, having an apparatus for automatic group wise exchange or replacement of a full bobbin with an empty bobbin.

The special suspension system provides a sophisticated function to the excess movement Designed to accommodate a wide range of Roving Bobbins made with the international OEMs recommended profiles.

This Special Bobbin Holder is also capable to meet the precise mechanical and electronically controlled Automation Systems in Roving Frame / Speed frame. Autotex is closely associated with Bobbin Transportation System manufacturers worldwide.



* All products are Patented and Design Registered.

RFAD - Roving Frame Auto Doffing Bobbin Holders Selection Chart

| S. No. | Product | Model | Housing | Type |
|--------|---|------------|---------|------------------------|
| 01 | Roving Frame Bobbin Holders with Traverse Trolley | T-RT - BK | Black | Rotating |
| 02 | | T-RT - WT | B Grey | Rotating |
| 03 | | T-NR - BK | Black | Non-Rotating |
| 04 | | T-NR - WT | B Grey | Non-Rotating |
| 05 | | T-NRR - BK | Black | Non Rotating / Rocking |
| 06 | | T-NRR - WT | B Grey | Non Rotating / Rocking |
| 07 | Roving Frame Bobbin Holders with M6 Stud | S-RT -BK | Black | Rotating |
| 08 | | S-RT -WT | B Grey | Rotating |
| 09 | | S-NR -BK | Black | Non-Rotating |
| 10 | | S-NR -WT | B Grey | Non-Rotating |
| 11 | | S-NRR - BK | Black | Non Rotating / Rocking |
| 12 | | S-NRR - WT | B Grey | Non Rotating / Rocking |



Roving Frame Bobbin Holders

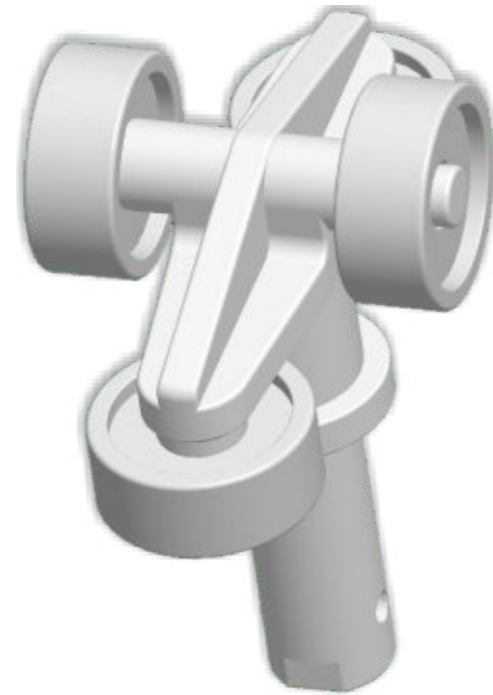
with Traverse Trolley

AUTOTEX

Designed by
Experience

The Bobbin Holder for the Auto Doffing system in Roving Frame/ Speed Frame, also comprises with a Traverse Trolley. This is made especially for smooth movement on the tracks of special profiles provided by the BTS manufacturers. The smooth rotation is ensured even with the maximum weight of the Roving Bobbin. The assembly is available in three different types,

Rotating | Non-Rotating | Non-Rotating with Rocking.



Advantages

- Sturdy structure for more durability and Flexible for more functional capability.
- Available in Rotating Type, Non-Rotating Type and Non-Rotating with Rocking type.
- Suitable for Precise Mechanical and electronically controlled automation movements.
- Traverse trolley ensures a smooth rotation even with the maximum weight of the roving Bobbin.



Roving Frame Bobbin Holders

with M6 Stud

AUTOTEX

Designed by
Experience

The new developed special Bobbin Holder for the Auto Doffing system in Roving Frame/ Speed Frame also comprises with a Stud of M6. This is made to accommodate in special Track profiles provided by the BTS manufacturers. The assembly is available with Rotating Type, Non-Rotating Type and Non-Rotating Type with Rocking.



Advantages

- Sturdy structure for more durability and Flexible for more functional capability.
- Available in Rotating Type, Non-Rotating Type and Non-Rotating with Rocking type.
- Suitable for Precise Mechanical and electronically controlled automation movements.
- Stud M6 is flexible to accommodate also the special track profiles of various BTS manufacturers.

Roving Frame Bobbin Holders

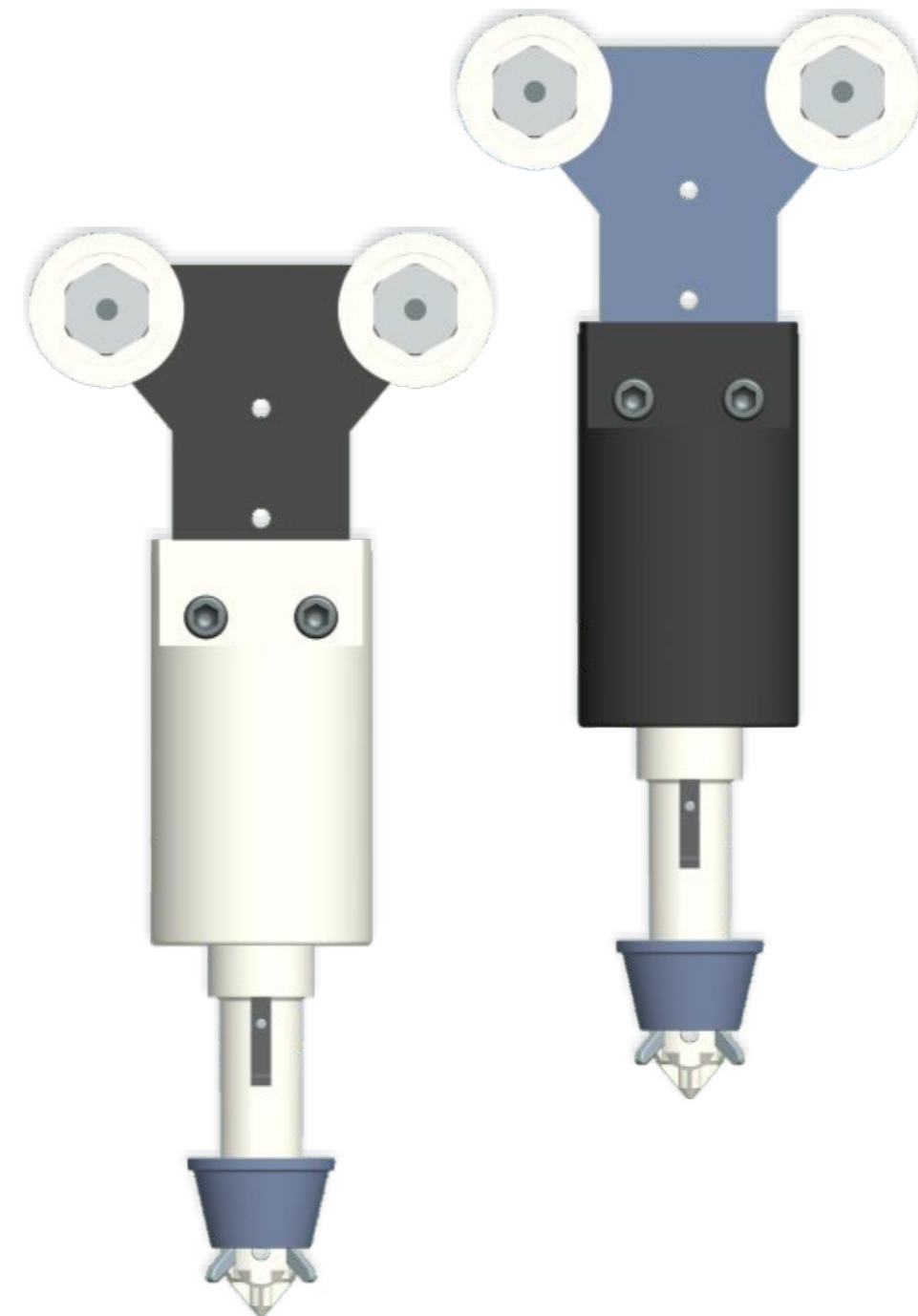
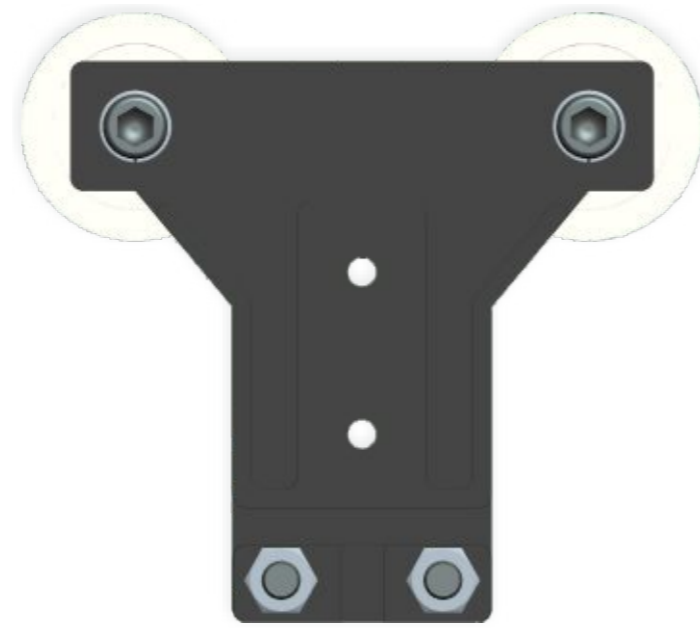
with Reel Hanger Assembly

AUTOTEX

Designed by

Experience

The Reel Hanger assembly is made specifically for Marzoli Roving Frames having an apparatus for groupwise automatic exchange or replacement of a full bobbin with an empty bobbin. This is made to accommodate the special doffer rail system provided by the manufacturer. The assembly is available with Rotating Type. The housing is identified by two different colours – Black and white. The reel hanger assembly is made exclusively for Marzoli Spa Italy.



Advantages

- The rollers are made to suit to the specific track requirements.
- Made exclusively for Autodoffing system of Marzoli Roving frames.
- Housing of the assembly is available in two different colours for identifications.
- Sturdy structure for more durability and Flexible for more functional capability.

Designed by
Experience

Autotex has developed Bobbin Holders exclusively for Auto doffing system of roving frames in association with the leading Roving frame manufacturers worldwide. The Bobbin Holders are very much suitable for a wide range of roving bobbins of international OEM recommended profiles. It meets the requirements of apparatus for groupwise automatic exchanging of full bobbin with an empty bobbins. The Bobbin Holders are tested by the respective OEMs approved that they meet to their



Advantages

- Tested by the OEMs globally and approved for its peerless performance.
- Sturdy structure for more durability and Flexible for more functional capability.
- Suitable for Precise Mechanical and electronically controlled automation movements.
- Suitable for a wide range of roving Bobbins made with international OEMs recommended profiles.
- Designed and specifically made in association with the leading Roving Frame Manufacturers globally.



At Autotex

Quality made by Autotex

A Strong vertical and horizontal integration has been the cornerstone of the evolution and growth of Autotex. State-of-the-Art infrastructure created for manufacturing Engineering Plastic components, Pressure die casting parts to cater various industries globally like Automotive, Engineering and Textile components. Today, each of these streams is an independent business vertical. Modules and Assemblies were forward integration of these ranges.

Our objective is to provide defect free parts that fulfill the needs of our customers with added functionality. We firmly believe in developing our products by incorporating the valuable inputs from our customers.

We have expertise in making Thermoplastic moulds, Auto unscrew moulds, Hot and Cold runner moulds, Pressure die casting moulds. Special high quality imported steel from global quality vendors are used to manufacture our moulds and dies. Stringent quality control methods followed in Autotex to meet the global quality requirements.

Our in house fully automated Zinc Electroplating plant is capable to provide surface finish for various engineering components. Fully equipped testing laboratory ensures on line quality control at each and every stage of the process closely.

Autotex aims at giving its customer a complete satisfaction by achieving their requirements at the right time with right quality. Autotex handles all aspects, right from the specification given by the customer from design/analysis and complete product realization and testing, making us an one stop solution for all our customers end requirement.

Our Valuable OEM Customers

RIETER



SAURER.
Schlafhorst

LMW

SOHLER
NEUENHAUSER



SCHÖNENBERGER

Our Sincere Thanks to Global Leaders for accompanying us to Strengthen Our Standards

Welcome to Autotex

Try our products - Trying is ensuring
See the difference - Seeing is believing