

SANTEX  
RIMAR  
GROUP

SperottoRimar



# MULTIDECAT 2.0

CONTINUOUS DECATIZING MACHINE

## MULTIDECAT 2.0

### Continuous decatizing machine

MULTIDECAT 2.0 grants optimum performances in terms of quality and production, while its running costs are quite economic thanks to a rationalization of the manufacturing and maintenance concepts.

MULTIDECAT 2.0 is equally applicable in the most diverse finishing fields: in the wool sector to silk fabrics, in artificial and synthetic fabrics and particularly when they are blended with natural fibers.

### Applications

- Final decatizing of both woollen and worsted fabric of pure wool and its blends with polyester, viscose, silk, cotton; cotton and linen blends, viscose and polyester/viscose blends as well as pure silk.
- Preparation treatment for Kier Decatizing of woollen and drapery articles.
- Final decatizing after Kier Decatizing to remove excess lustre and to grant softer and bulkier hand.

In standard working conditions, fabric is fed to the machine plaited and will also be delivered plaited. On request, big batch at inlet and outlet can be supplied.

MULTIDECAT 2.0 can operate connected in line with our steaming and relaxing machine UNIVERSA.

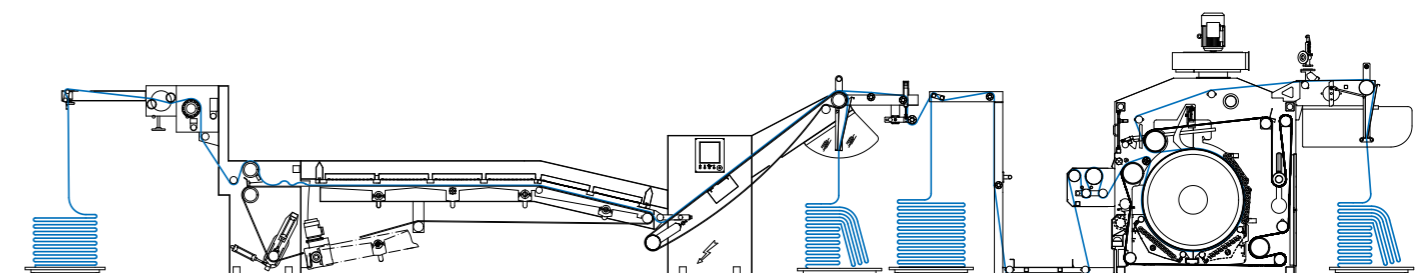
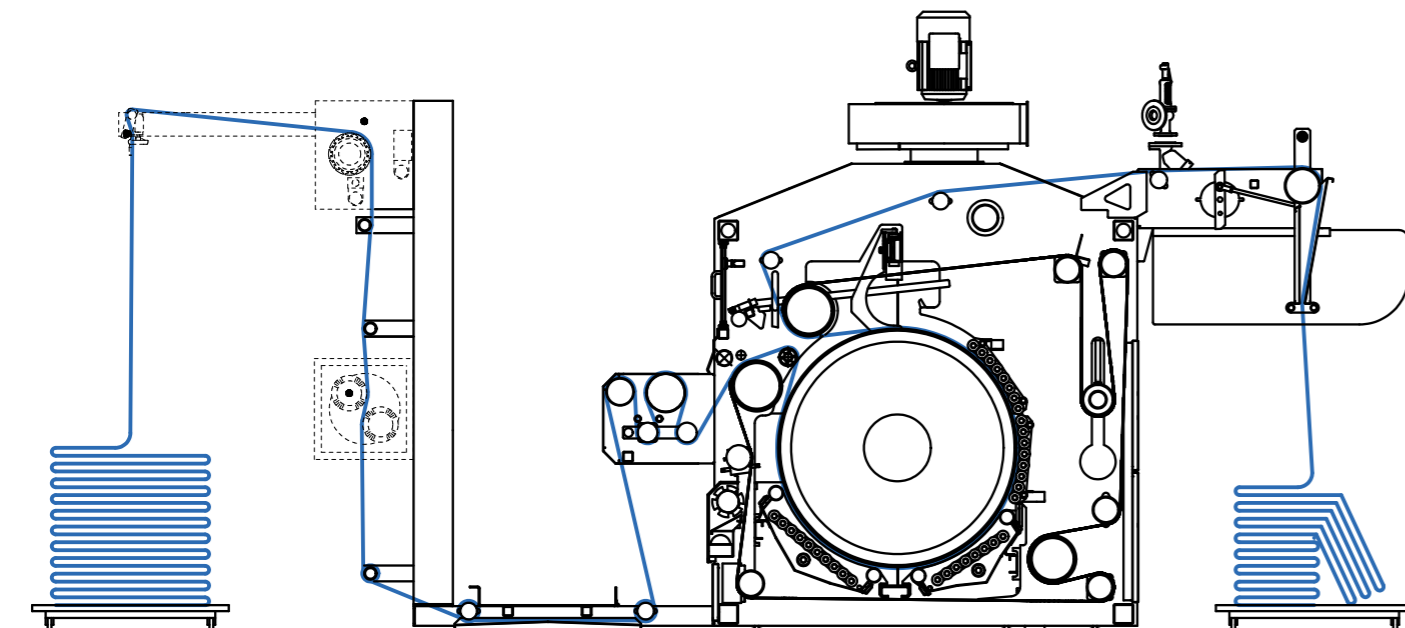
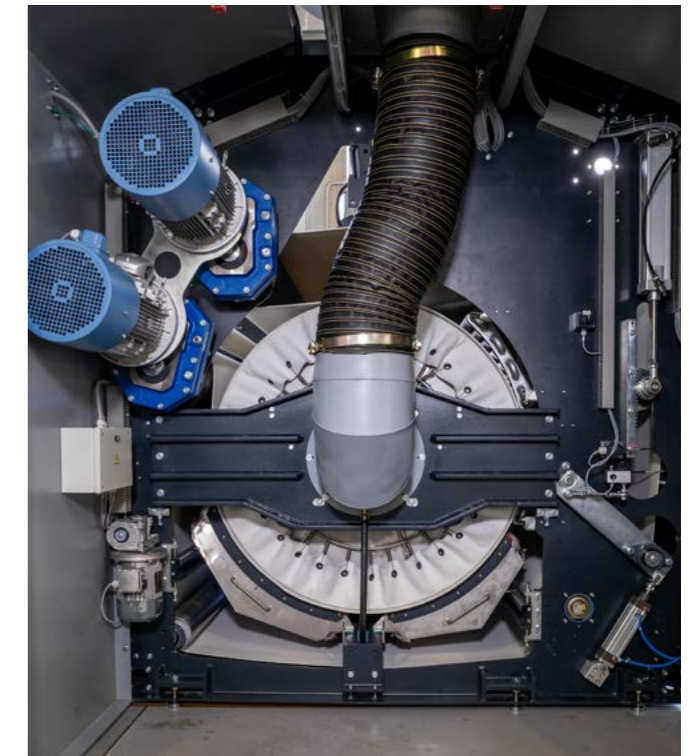
The result is a very flexible finishing line, where the fabric will be first relaxed through the UNIVERSA and is then followed by a final decatizing.

The machine production speed can be as high as 25 m/min or higher in relation with fabric type and required decatizing effect.

MULTIDECAT 2.0 can also be supplied with a double steaming section.

### TECHNICAL DATA

Roller width	190 - 240 mm
Working width	170 - 220 mm
Mechanical speed	3 - 30 m/min
Decatizing cylinder diameter	120 cm
Connected load	45 kW
Average steam consumption at 4-5 bar	400 - 500 kg/h
Compressed air consumption at 7-8 bar	nl/h 100
Average machine noise	db (a) <80



# SperottoRimar

SANTEX  
RIMAR  
GROUP

SPEROTTO RIMAR Srl

Località Colombara 50 - 36070 Trissino (VI) - ITALY  
Tel. +39.0445.1761444 - Fax +39.0445.1761445  
sperottorimar@santexrimar.com - www.santexrimar.com

SANTEX RIMAR GROUP Worldwide

- Italy
- Switzerland
- China
- India

CAVITEC

ISOTEX

SANTEX



SMIT

SOLWA

SperottoRimar