

Textile & Nonwovens
Finishing & Remoistening

BALDWIN[®]



Sustainability • Efficiency • Quality
with Precision Application Technology

”Baldwin fulfilled our requirements to provide a solution that optimizes our productivity while reducing our environmental impact.

During the evaluation period of the system, we have had outstanding results in productivity increase, and we can clearly see that this technology will make a great contribution to our future efficiency and sustainability savings.”

Mike Abbott,
Global Director Research and Innovation, HanesBrands



Baldwin innovations reflect long-term quality and a future-proof attitude, all the way.

Who We Are

Baldwin designs the innovative and revolutionary non-contact Precision Spray Technology for fabric finishing and remoistening. Our mindset is to increase your process speed, product quality and production control with great return on investment and the highest environmental care.

The Precision Spray Technology origins back in time when Baldwin innovated world-leading spray systems for the web offset industry. Now, 35 years later, this technology is further developed, tailor made to the specific requirements of the textile industry. Our expert team will ensure that your investment provides the expected return in operational efficiencies, through uptime and quality.

A Global Footprint

With 21 facilities in 10 countries, we have an international service-and-support presence that gives our customers unmatched assurance that they will be taken care of when they invest in our technology.

A Strong 100-year old History

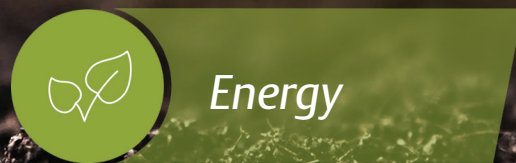
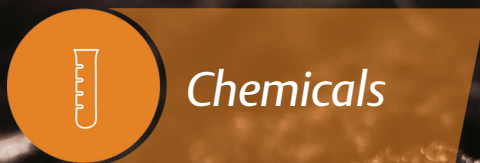
Baldwin was founded in 1918 by William Gegenheimer, who invented the Baldwin Press Washer, the first automatic press-cleaning system of its kind.

Through decades of growth, which involved the strategic acquisition of a number of companies that furthered Baldwin's technology and capabilities, the company established itself as a trusted partner by providing technology that enables you to produce more confidently in exacting quality at unbeatable speeds, in a manner that is safer, smarter and more integrated than ever before.

Unlocking Your Potential

Baldwin's vision statement is "Unlocking Your Potential," which speaks to our equipment's ability to improve your processes by employing our advanced, reliable technologies.

Baldwin offers non-contact precision spray systems designed to save time, money and valuable resources. Time and time again.



Non-contact Spray technology

Our systems for finishing and remoistening utilize non-contact spray technology, meaning that you will always have controlled, optimal coverage required to achieve exact fabric specifications.

Reduced water consumption

Precision non-contact spray allows for significantly reduced wet pick-up of the fabric. Since the exact required amount of water and chemicals are always applied – no more and no less, the water consumption can be cut by as much as 50%. This contributes to a considerably enhanced productivity in your finishing process.

Efficiency in all applications

Regardless of fabric construction, the non-contact spray technology accurately applies a wide range of low-viscosity water-based chemicals, such as water repellents, oil repellents, softeners, anti-microbials and more.

Sustainable production

One of the biggest challenges facing the textile industry today is the environmental impact in terms of energy, chemical and water consumption. With the non-contact spray technology, you are always in full control of the chemical-to-water ratio throughout the production run, so there is never more usage than actually required.



Water



Efficiency

Our TexCoat G4 finishing system has proven to significantly reduce both water and chemical usage, resulting in a sustainable production process in which you save time, energy and resources. More importantly, your customers can rely on your ability to provide products that care for the environment.

Plasma Surface treatment

Beside systems for spray coating and remoistening, we also provide Plasma treatment systems. Our Plasma treaters are unique to prepare textile and nonwoven surfaces for further finishing steps. The plasma treatment improves classic finishing processes and can be an excellent addition to our spray coat systems.

Higher-Quality Results

We serve some of the most demanding manufacturers in the world and help them achieve results that stand out in the market and drive their business.

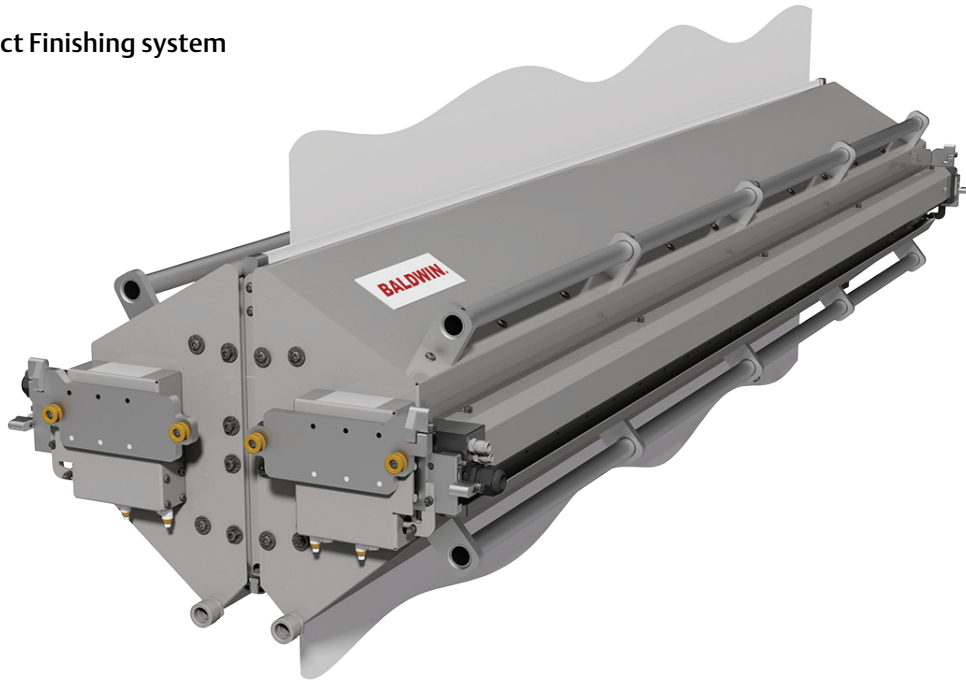
Finishing and Remoistening

In the finishing, remoistening or surface treatment process, we provide the optimal solution for your production, whether on a large or a small scale.

Our systems are operating with great success at manufacturers' sites across the world, treating textiles for apparel, upholstery, automotive, medical, hygienic and more.

TexCoat G4

Non-contact Finishing system



Revolutionizing non-contact finishing with total process control

TexCoat G4 provides a continuous high-quality finish with zero-chemical waste and minimal water and energy consumption. The system's adjustable spray intensity assures optimal application whether you are applying durable water repellents to one side of a lightweight fabric or deep penetration of softener on heavyweight goods.

Enhanced process and product quality

The exact amount of chemicals required is consistently and uniformly sprayed across the textile surface and applied only where it is needed – on one side or both sides of the fabric.

As only the necessary amount of chemicals are applied, the wet pick-up levels are reduced by up to 50%, leading to 50% decreased water consumption as well as 50% less drying energy. With TexCoat G4 you don't have to worry about chemical dilution in wet-on-wet applications or

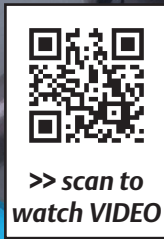
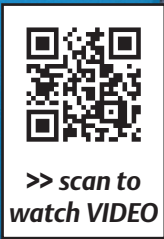
any bath contaminations. Moreover, there will be zero downtime in fabric changeovers.

Sustainability leading to profitability

In fabric or chemistry changeovers, 100% of the chemicals are recycled with zero waste. In combination with reduced energy, water and chemicals consumption, TexCoat G4 ensures a sustainable and financially beneficial textile finishing process.

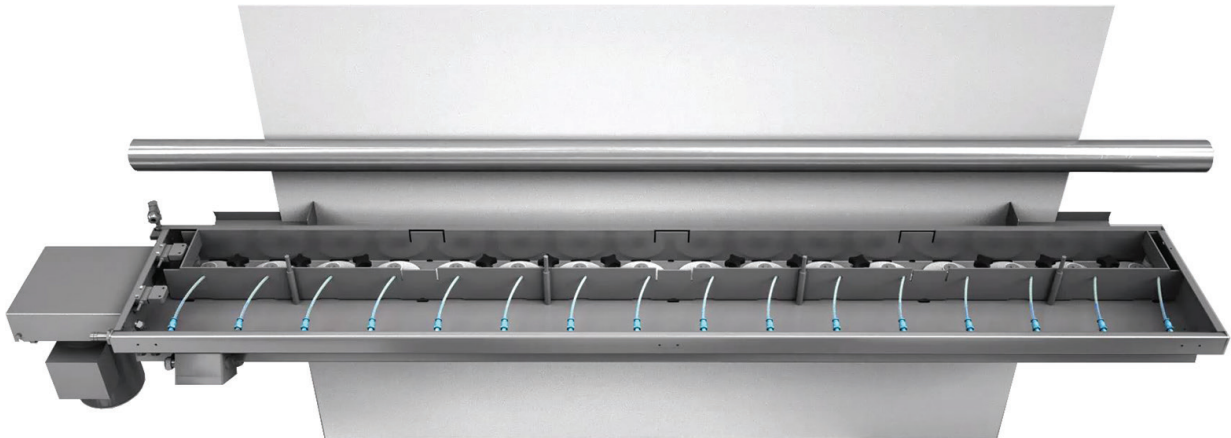
Total process control – Industry 4.0

To ensure total process control, the TexCoat G4 system features an integrated recipe management system with automated chemical- and coverage selection. As an option, TexCoat Data Center offers unprecedented tracking and control of the finishing process via real-time monitoring and tracking of critical system information. You will always have full control of your textile finishing process.



Rotor Spray

Non-contact Finishing system



The next level in precise and even coating and remoistening

Optimal precision at high speed

The Ahlbrandt Rotor Spray finishing system operates with exceedingly high precision, enabling even coverage of water-based liquids to the fabric. The system is proven to be especially efficient in nonwoven applications, requiring a precise low volume application at high line speed.

One or two-side treatment

Rotary discs are used to spray process liquid onto textiles evenly and uniformly whether applied on one side or both sides of the fabric. You are ensured to have the surface treated only and exactly where needed.

Save chemicals

A key benefit of the system is its ability to apply coatings very precisely: chemicals can be accurately sprayed with 10-1000 nm thickness. This thin finishing coating not only saves chemicals, it also ensures the required volume.

And as a non-contact application system, it minimizes waste of both water and chemicals due to the precise dosage and coverage.

Each Rotor Spray system has a 60 liter tank that feeds the lines to the rotary heads and discs; excess liquids are recirculated back into the tank, enabling near zero waste of chemicals during the production process.

Low maintenance

The Rotor Spray system is easy to operate, offers low maintenance costs, and is available in spray widths as wide as 6000 mm.

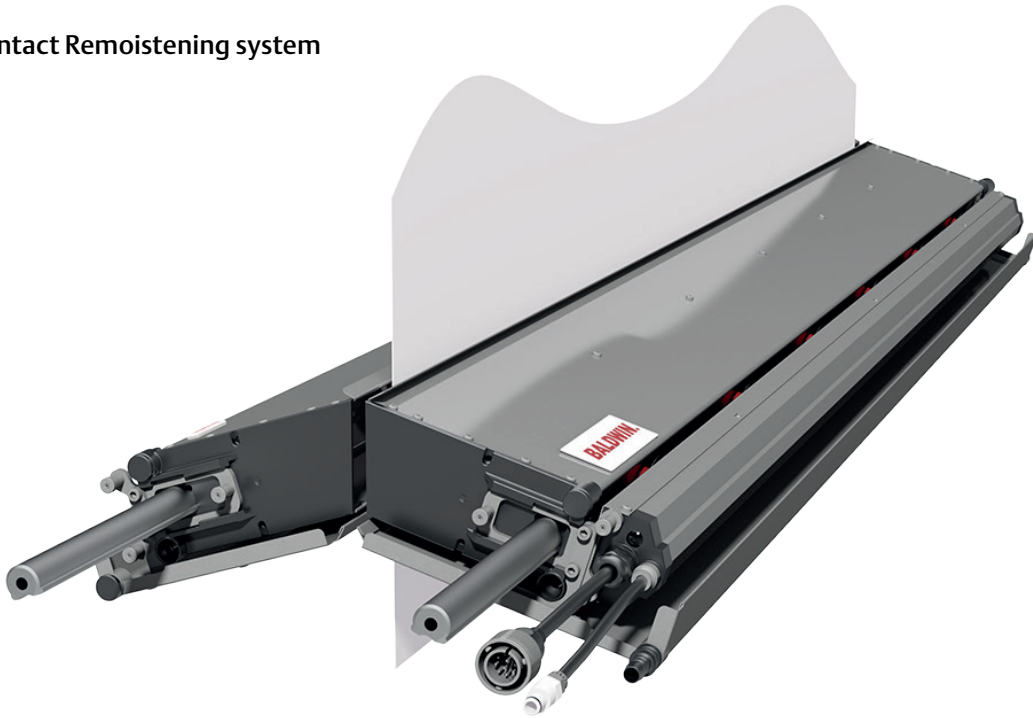
The Ahlbrandt surface finishing products draw upon both the expertise as an innovation pioneer and 55+ years' experience integrating new surface technologies within the Ahlbrandt brand.



>> scan to
watch VIDEO

TexMoister G2

Non-contact Remoistening system



Precision textile remoistening with minimal maintenance

Superior textile remoistening

TexMoister G2 delivers superior remoistening performance with exact application of water, making it suitable for end-of-line remoistening applications as well as for decatizing, compacting and sanforizing.

Full process control

With TexMoister G2, the amount of water is easily set and then consistently and uniformly sprayed across the fabric, allowing for full process control with repeatable results over time. The system has

no start-up time and applies the full amount of water onto the fabric immediately from start.

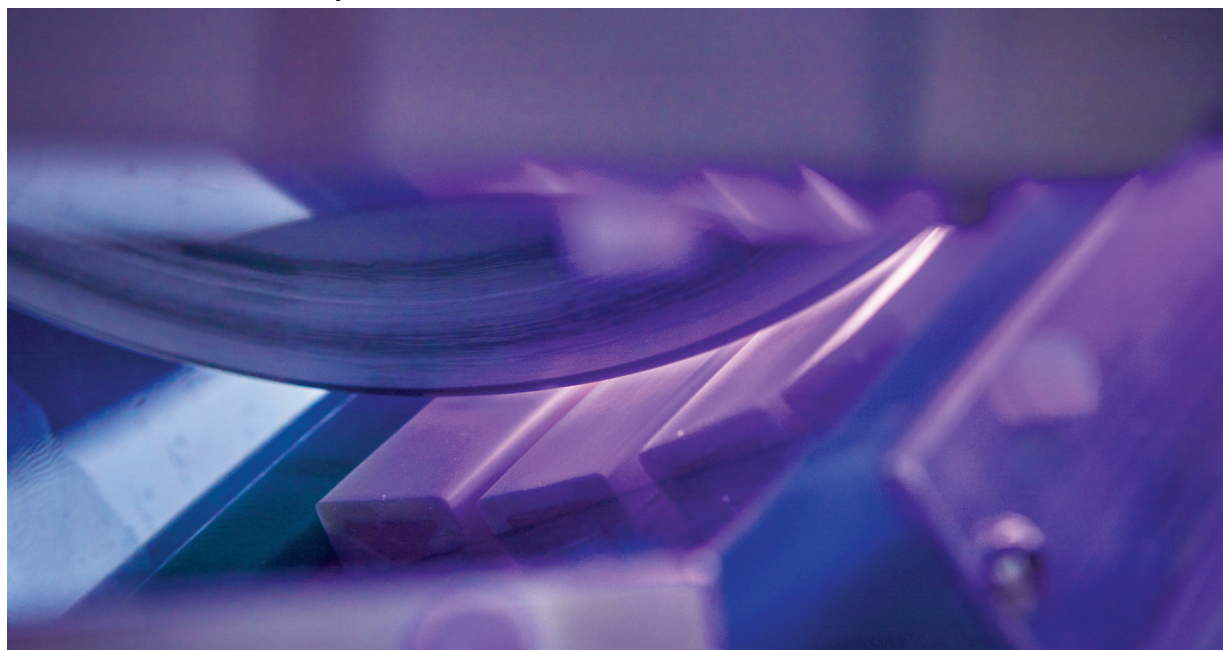
Maintenance-free design

The TexMoister G2 requires minimal maintenance, thanks to a robust design with few moving parts – a superior feature ensuring uptime and productivity.

With its slim and compact design, the TexMoister G2 is easily installed and retrofitted into any existing machine.

Plasma Pure

Plasma Surface Treatment system



Surface treatment technology based on 55 years of experience

The Ahlbrandt Plasma Pure is proven to enable enhanced and more efficient dyeing, coating and lamination of textiles and nonwovens.

The system's high-voltage ceramic electrodes generate an air plasma used to efficiently treat the fabric surface. The result: considerably improved absorption and adhesion properties of the fabric.

Dyeing quality boosting productivity

While enhancing the absorption properties with an optimized and uniform dyeing result, the Plasma technology also significantly accelerates the absorption process. These benefits not only increase quality, they also boost productivity since Plasma treated fabric with faster absorption requires considerably shorter drying time.

Improved coating and lamination

Additionally, the system increases the adhesion properties of the fabric, for more efficient coating and laminating processes.

Designed for easy handling

The slim design enables easy integration and retrofit into existing production lines and allows for fast and easy service.

Defined by high efficiency treatment, maximum uptime and easy maintenance, Plasma Pure facilitates optimized productivity and continuous quality in your production process.



>> scan to
watch VIDEO

Aftermarket Service & Support

Consumables, Service & Support

To best support our customers, Baldwin offers factory original consumables maximizing the performance of our technology. This includes valves, nozzles, rotor discs, filters, and more. Additionally, we supply spare parts for all our equipment, so you can work directly with us to ensure that your system stays in perfect operational condition.

Technical Support & Field Service

We maintain a professional, trained staff of technical support and field-service personnel to ensure that our customers have access to the help they need, when and where they need it. With our international footprint, our global structure enables us to offer unmatched service and support, a key differentiator between us and our competitors.

Warranty Programs

We fully back the equipment we build and support our systems, with comprehensive warranty programs. All new systems are warranted to provide our customers with confidence, when purchasing from us. Additionally, extended warranty programs are available for those who want to incorporate regular service and maintenance of their equipment into their operations.

Industry 4.0

Many of our technologies feature IoT integration. This means that they can be connected to live real-time data collection peripherals, so that system performance can be better monitored and maintained. The real-time data collection measures system performance as well as tracks trends and analyzes data from our products in the production line use to reduce downtime and improve performance.





”Since we installed the TexCoat finishing system from Baldwin in our laminating process, we have increased the productivity considerably. The system’s ability to apply chemistry on just one side of the fabric with perfect dosage and coverage – and in one single production step, has saved us a lot of production time. Additionally, it speeds up the drying time dramatically.”

Fabio Pierelli, Production Manager, Eurostick

BALDWIN®





For more information visit: www.baldwintech.com

Baldwin Technology Company Inc. is a leading global manufacturer and supplier of innovative process-automation equipment, parts, service and consumables for the printing, packaging, textile, plastic film extrusion and corrugated industries.

As a total solutions provider, Baldwin offers our customers a broad range of market-leading technologies, with a focus on improving the economic and environmental efficiency of production processes. Through a global footprint of 21 company-owned locations and an extensive network of partners, our customers are supported globally, regionally and locally by dedicated sales and service team members who add value by forming long-term relationships. Baldwin is privately owned by BW Forsyth Partners, a Barry-Wehmiller company.

BALDWIN®

Unlocking Your Potential